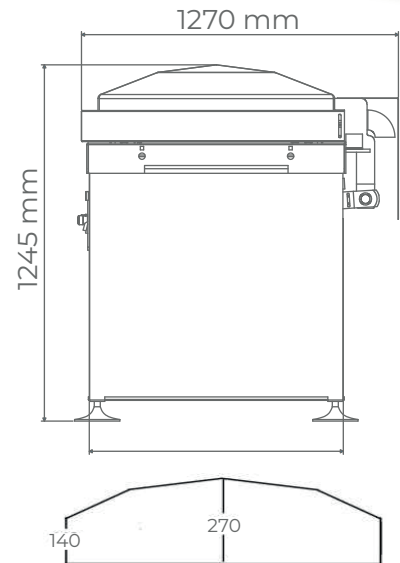
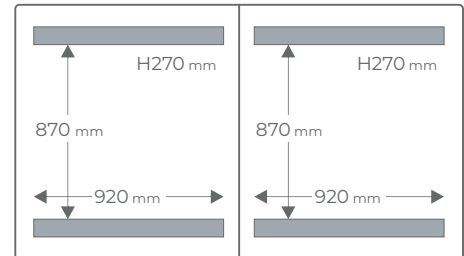


## VACUUM MACHINE VA 920920



Machine dimensions:  
L2000xW1270xH1245

Adjustable working height:  
900 mm. approx



### MACHINE SPECIFICATIONS

PUMP	POWER	VOLTAGE	APPROX.WEIGHT
100 - 160 - 202 m <sup>3</sup> /h	2,2- 4 - 4,5 kw	400 V - 50/60 Hz 3F+N+T	1150 Kg (according to pumps)

### OPTIONS

GAS BY % AND BY TIME

HOT WIRE CUTTING OF REMNANT PLASTIC

### GENERAL FEATURES

- Digital control board with 25 programmes.
- Made of stainless steel AISI 304.
- Special hygienic design.
- Vacuum % and time.
- Digital counter of working hours.
- SOFT AIR.
- Special sealing for fat, blood, water, etc.
- Easy disassembly of the sealing bars for cleaning.