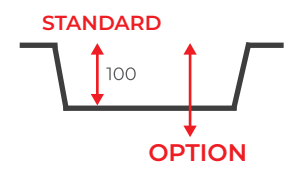
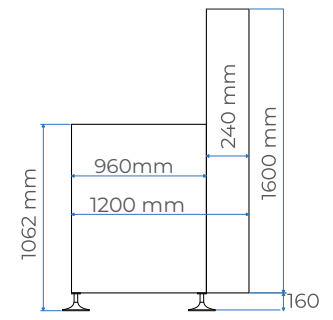
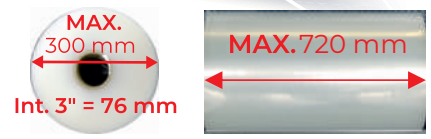
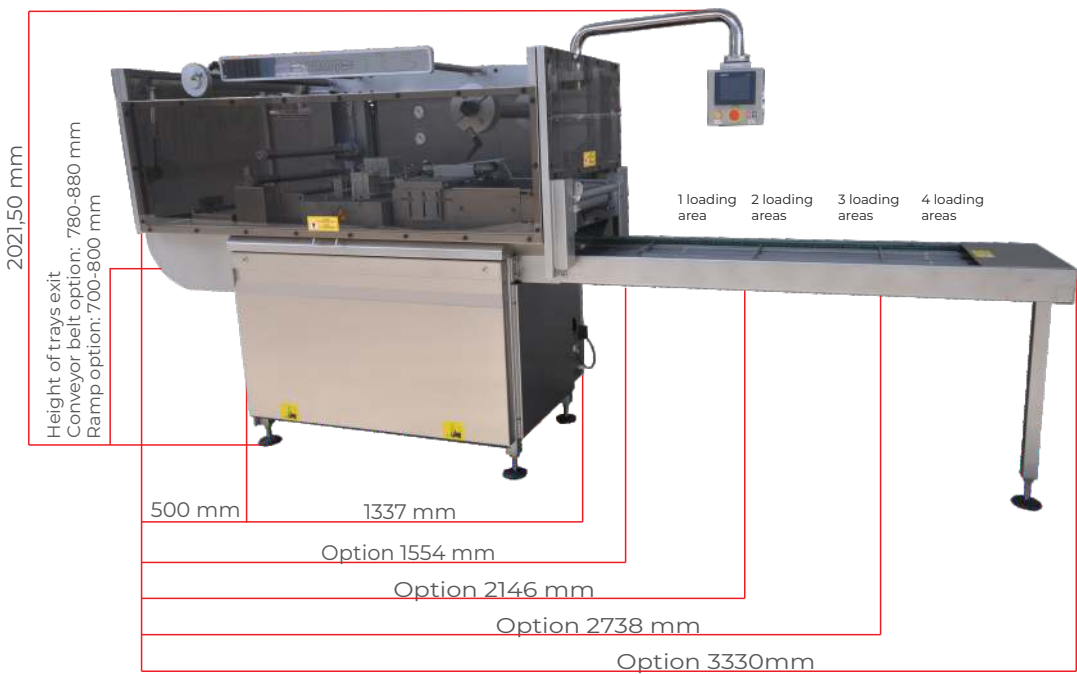
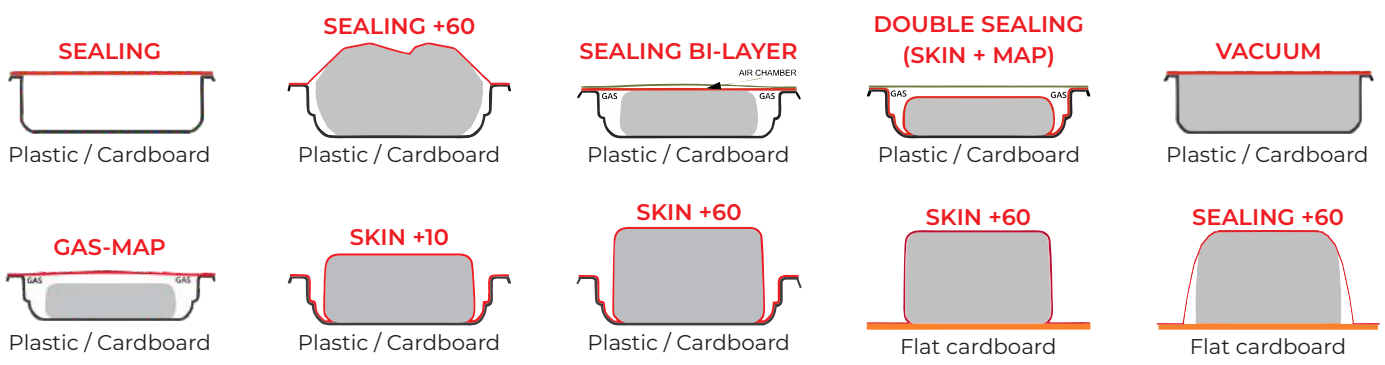
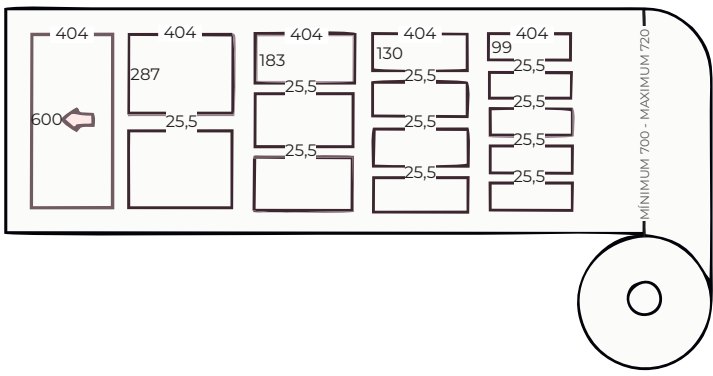


# TRAYSEALER TSA 826



## MAXIMUM TRAYS SIZE

## TSA 826



### features:

- Colour touchscreen panel 5.7".
- Structure in stainless steel aisi 304.
- Vacuum by mbars and time, or both.
- Gas injection by mbars and time over gas.
- Capacity for 2 1/2 gn trays.
- Capacity for 3 1/4 gn trays.
- Capacity for 4 1/8 gn trays.
- Film dragging by two synchronized motors.
- Mould adaptation chosen by the customer.
- Replaceable rings to adapt the tray to every manufacturer.
- Film progress mode: by lenght-by printed stain.
- Trays dragging by stainless steel rods and dragged by chains.
- Power: 12-20 kw (according to the pumps).